

Doboy CBS-D 1500 Continuous Band Sealer

15.00" OF HEAT SEALING SURFACE

QUALITY COMPONENTS FOR QUALITY SEALS

The CBS-D 1500 comes standard with stainless steel construction of the mainframe and bridges. The wide-gap undercarriage plate, constructed from FDA-compliant coated aluminum, reduces headspace requirements allowing for smaller bag tops and material savings. The open frame design with polycarbonate guarding allows easy access and increased operating visibility for production and maintenance personnel. PTFE-coated fiberglass sealing bands provide superior seals and greatly reduce machine wear and maintenance.

BAG TOP CONTROL FOR QUALITY SEALS

Full length 12mm (1/2") urethane timing belts grip the bag top and provide positive timing and speed control as the bag top travels through the fully adjustable heat bars, compression wheels and cooling bars of the sealing section, resulting in strong, quality seals. Bags weighing less than three pounds do not require a support conveyor.

SINGLE-POINT GAP ADJUST

Heating and cooling bars are mounted to a special indexing plate with a dial indicator readout to allow the bars' spacing from one central point. This eliminates the need to adjust each bar individually, saving time and providing precision adjustments. This feature also reduces wear on the bands and gives more precise control over the appearance of the seal.

DUAL-ZONE TEMPERATURE CONTROL

Mounted in the operator panel, the controller provides precise control of the heat bar temperature. The heat bars reach set temperature in minutes and maintain the set point resulting in error-free seals. Additional heat bar temperature controls are available for increased reliability.

SAFE & EASY OPERATION

With the AC frequency variable speed drive, the machine speed can be adjusted from the control panel with no belts or pulleys to adjust. With the main drive being gear-driven, there are no chains or sprockets to lubricate or replace. The floor stand is adjusted with a hand-crank for ideal operating height. Front guard doors are equipped with a safety interlock which stops the machine when the doors are opened and provides access to the sealing section. Sealing bands are easy to change without tools and can be done in less than two minutes!

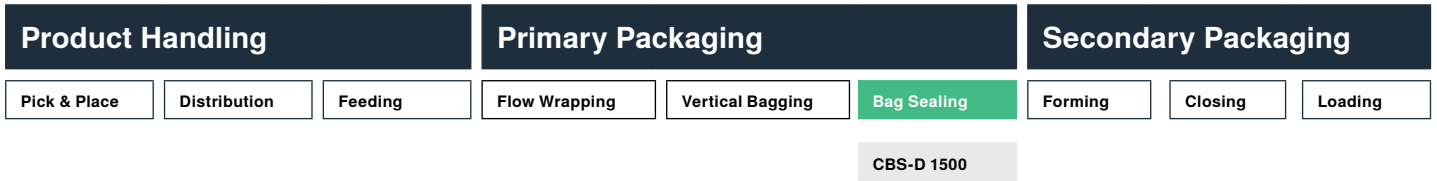
Sealing Section

The sealing section is comprised of the following components and the entire section can be removed in a matter of minutes for servicing or replacement, virtually eliminating downtime.

- ❑ **Heat Bars** - Two pairs of 7.50" long (15.00" total) precision machined aluminum heat bars with super hard (57 Rockwell) surface treatment produce a 6mm (1/4") seal width. The heat bars are spring loaded and are adjustable for different bag thicknesses. Ceramic insulators contain the heat within the heat bars.
- ❑ **Compression Wheels** - Dual, adjustable spring-loaded compression wheels create the pressure needed to seal gusseted bags with ease.
- ❑ **Cooling Bars** - One pair of 7.5" long adjustable, cast aluminum, spring-loaded cooling bars with super hard (57 Rockwell) surface treatment and stainless steel cover and blower fan to set seals for immediate bag handling



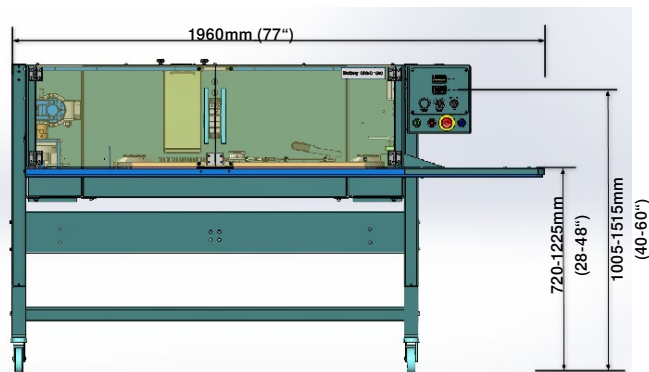
Packaging Line Structure.



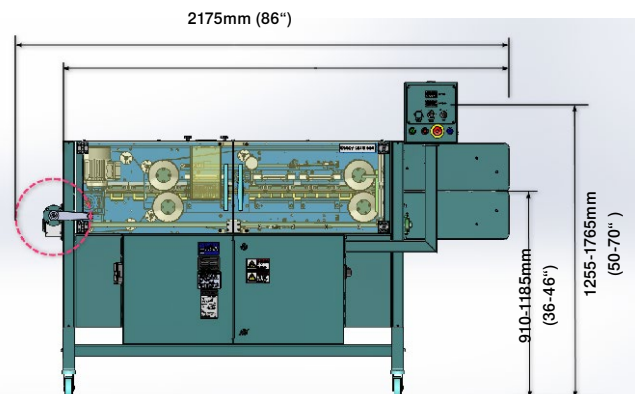
A wide variety of options

- ❑ Ink jet coders
- ❑ DRD Bag top trimmer
- ❑ Vacuum scrap removal
- ❑ Bag counter
- ❑ Bag top guides
- ❑ Band wiper
- ❑ Right to left or left to right feed directions
- ❑ Vertical and horizontal formats
- ❑ Tapered infeed extension
- ❑ Extended floorstand for increased elevation range
- ❑ 9mm (3/8"), 12mm (1/2"), 19mm (3/4") seal widths
- ❑ Additional temperature controllers
- ❑ UL / CE certification
- ❑ Optional voltages
- ❑ Integrated 2.5m (8') conveyor with 250mm (10") wide belt
- ❑ Integrated 3m (10') conveyor with 500mm (20") wide belt
- ❑ Custom options per application

Vertical Format



Horizontal Format



Technical Specifications

Machine Size	Vertical	Horizontal
Length	1960mm (77")	2175mm (86")
Width	890mm (35")	790mm (31")
Height	720 - 1225mm (28 - 48")	910 - 1185mm (36 - 46")
Weight	210kgs (460lbs)	210kgs (460lbs)
Specifications		
Production Speed	Up to 30m (1,200") per minute	
Product Range	All heat-sealable materials, tube style or gusseted	
Sealing Bands	PTFE-coated fiberglass	
Sealing Width	6mm (0.25") standard	
Heat Bars	2 pairs 7.50" long (15.00" / 380mm total)	
Compression	2 sets of adjustable pressure rollers	
Cooling	1 pair of air-cooled bars	
Main Drive	AC drive / frequency control	
Temperature Control	Two precision digital controls	
Electrical	220 volt, 60 hz, 1 phase NEMA 12	
Air		

Syntegon Packaging Technology, LLC

869 South Knowles Avenue

New Richmond, WI 54017

USA

Phone +1 715 246 6511

Fax +1 715 246 6539

Mail sales.packaging-nrd@syntegon.com

Web www.syntegon.com/products/doboy-cbs-d-1500

Subject CBS-D 1500

Date 06.2020

Department PAUD/MKT